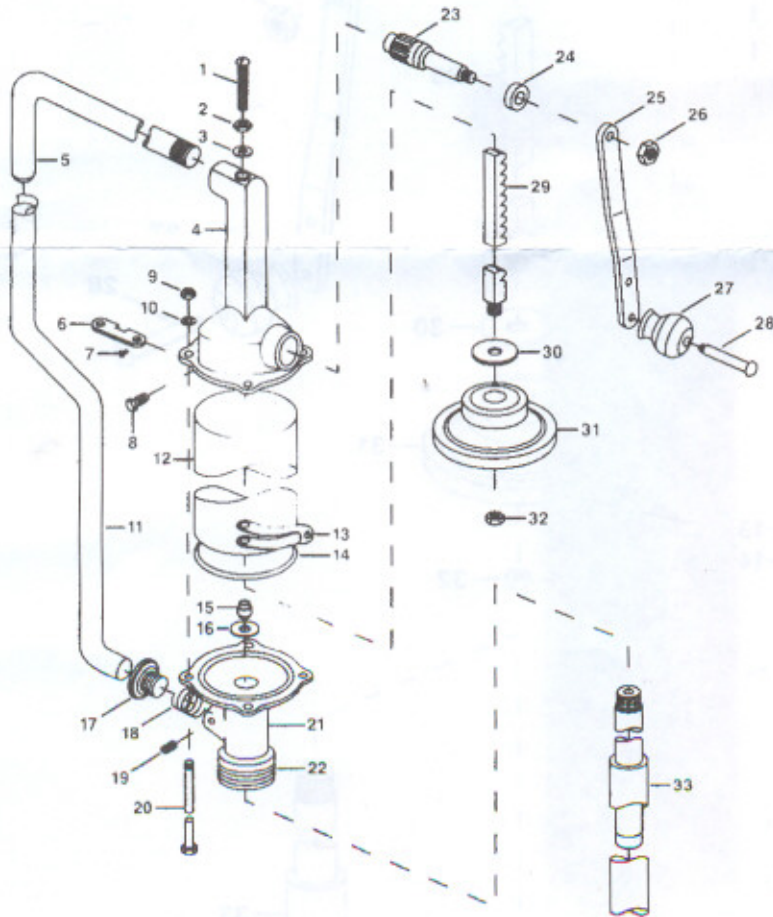


Model 975 Quart Stroke Pump



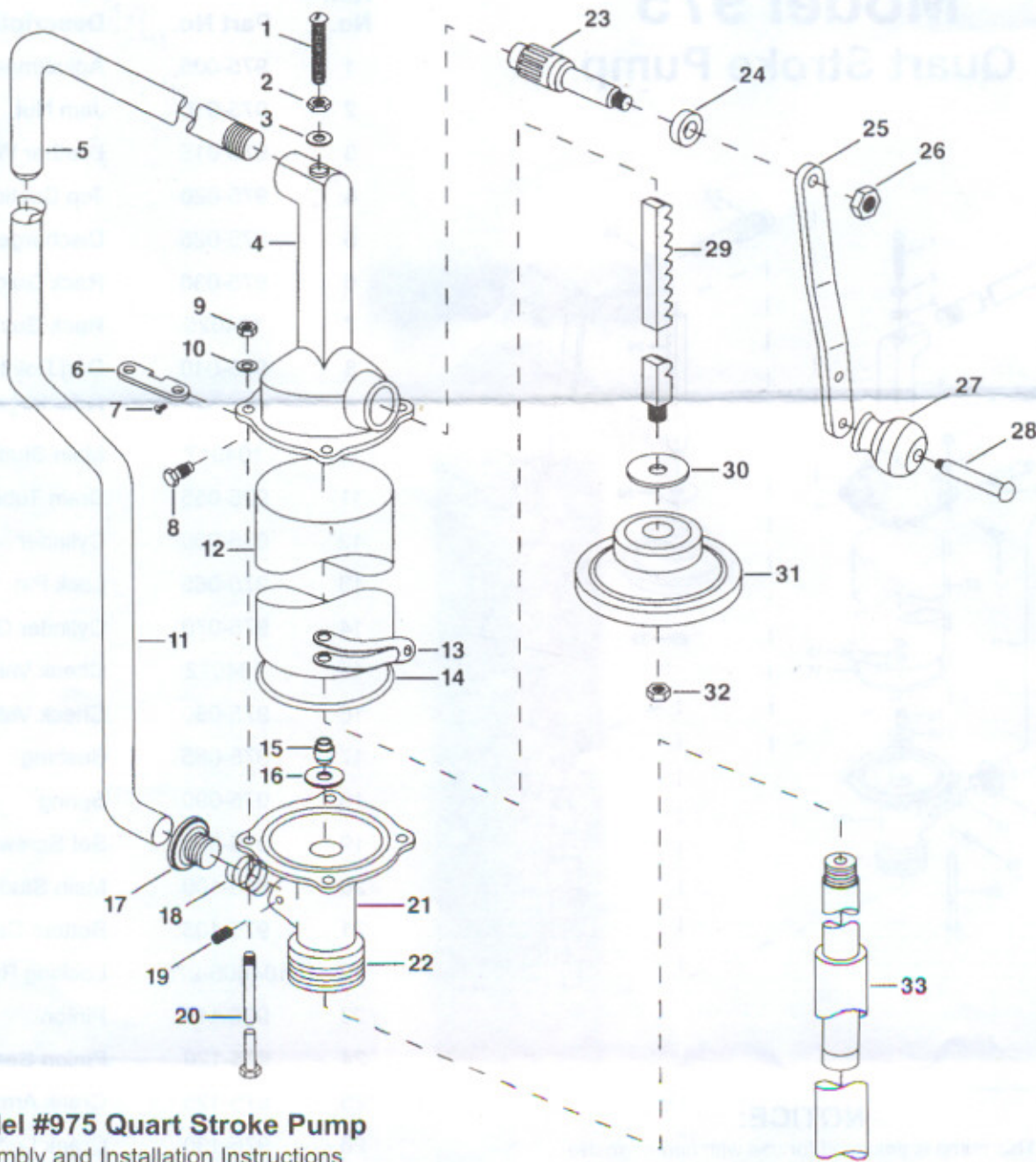
Ref. No.	Part No.	Description
1	975-005	Adjustment Screw
2	975-010	Jam Nut
3	975-015	Leather Washer
4	975-020	Top Casting
5	975-025	Discharge Spout
6	975-030	Rack Guide
7	104025	Rack Guide Screws
8	975-040	Dog Point Screw
9	975-045	Main Stud Nuts
10	104017	Main Stud Washers
11	975-055	Drain Tube
12	975-060	Cylinder
13	975-065	Lock Pin
14	975-070	Cylinder Gasket
15	104012	Check Valve Screw
16	975-080	Check Valve Washer
17	975-085	Bushing
18	975-090	Spring
19	975-095	Set Screw
20	975-100	Main Studs
21	975-105	Bottom Casting
22	104006-975	Locking Ring
23	975-115	Pinion
24	975-120	Pinion Seal
25	975-125	Crank Arm
26	975-130	Crank Locknut
27	975-135	Crank Knob
28	975-140	Crank Rivet
29	975-145	Rack
30	975-150	Piston Valve
31	975-155	Piston
32	975-160	Lock Nut
33	L30-99N	Suction Tube

NOTICE:

This pump is designed for use with non-corrosive petroleum based products of light to medium viscosity such as motor oils. It should not be used with solvents, acids, alkaline, water or other corrosive liquids.

GUARANTEE DOES NOT COVER ANY PUMP SHOWING EVIDENCE OF RUST OR OTHER CORROSION.

Repair parts must be ordered by part number, name, and exact quantity of each part ordered



Model #975 Quart Stroke Pump
Assembly and Installation Instructions

1. Locate the lower pick-up tube (item #33) and apply Teflon tape sealant or Some other type of thread sealant to the threads.
2. Install the pick-up tube into the bottom of the pumps lower casting.
3. Pull the telescoping pick-up tube to its longest position and insert into your fluid container. Gently push down on the pump until the threads (2" NPT) on the lower casting mate up with threads on your container. Turn the pump clockwise into the container and lock it into the desired position with the lock ring (item #22).
4. Turn the crank arm clockwise to dispense fluid and counter clockwise to reload the chamber (2 1/4 turns). It may take several cycles to prime the pump. Test the pump by filling a graduated container with a full cycle of the pump (2 1/4 turns). If the amount is more or less than 1 Quart per full cycle turn the adjustment screw (item #1) on the top of the pump head to adjust the stroke.